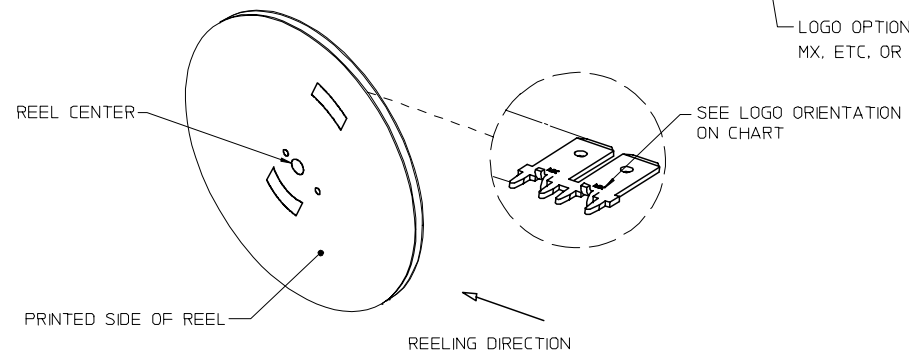
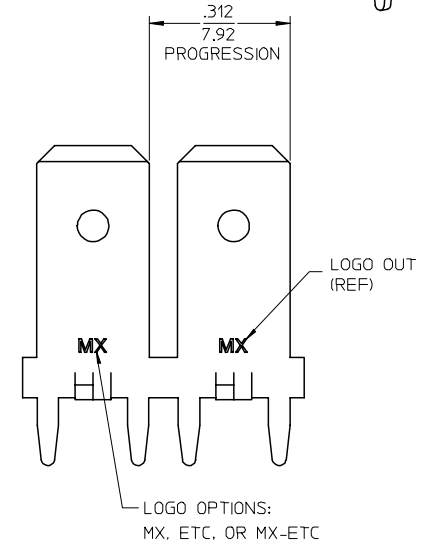
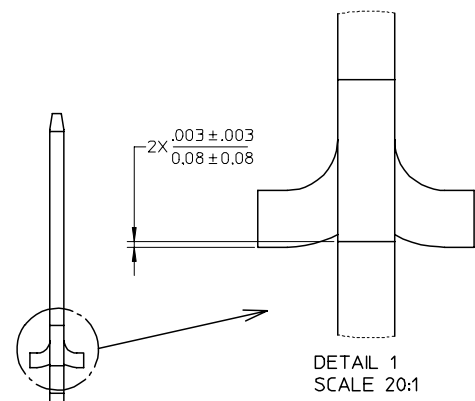
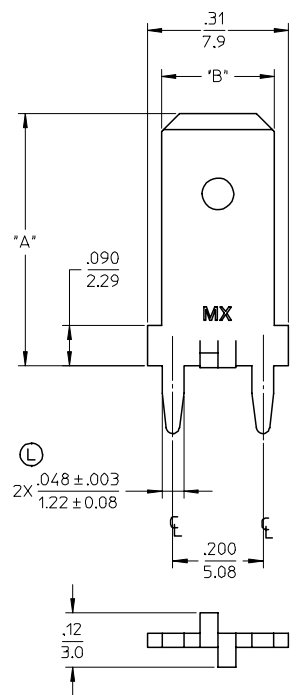
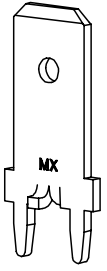
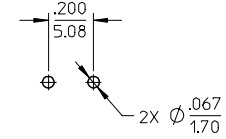


| MATERIAL NUMBER | ENGINEERING NUMBER | CARRIER | LOGO ORIENTATION | DIMENSION 'A' | DIMENSION 'B' | MIN. PARTS PER REEL |
|-----------------|--------------------|---------|------------------|---------------|---------------|---------------------|
| 197054003       | 19705-4003         | STRIP   | IN               | .560/14.22    | .250/6.35     | 5,000               |
| 197054103       | 19705-4103         | STRIP   | IN               | .560/14.22    | .187/4.75     |                     |
| 197054105       | 19705-4105         | STRIP   | OUT              | .560/14.22    | .187/4.75     |                     |
| 197054203       | 19705-4203         | STRIP   | IN               | .405/10.29    | .250/6.35     | 10,000              |
| 197054204       | 19705-4204         | STRIP   | OUT              | .405/10.29    | .250/6.35     |                     |
| 197054001       | 19705-4001         | LOOSE   | -                | .560/14.22    | .250/6.35     | -                   |
| 197054101       | 19705-4101         | LOOSE   | -                | .560/14.22    | .187/4.75     | -                   |
| 197054201       | 19705-4201         | LOOSE   | -                | .405/10.29    | .250/6.35     | -                   |

RECOMMENDED PCB HOLE LAYOUT



NOTES:

1. BARE EDGES PERMISSIBLE AT CARRIER CUT OFF.
2. MATERIAL: BRASS C26000 (.032/0.81) THICK.
3. TAB CONFORMS TO NEMA SPECIFICATIONS.
4. ALL DIMENSIONS AND NOTES REFERENCE UNLESS OTHERWISE NOTED.
5. PLATING: MATTE TIN OVER NICKEL 150µ IN/3.81 µ mm MINIMUM THICKNESS OVER NICKEL 50µ IN/1.25µ mm MINIMUM THICKNESS.
6. 24" DIAMETER REEL WITH A 1.25" DIAMETER CENTER HOLE.
7. PART IS RoHS COMPLIANT

|   |                               |  |      |                 |      |                     |              |   |
|---|-------------------------------|--|------|-----------------|------|---------------------|--------------|---|
| TOLERANCE REDUCED<br>EC NO: ETC2007-0434<br>DRAWN/HELD: 2007/05/25<br>CHKD: JMACNEIL 2007/06/04<br>APPR: JMACNEIL 2007/06/05  | QUALITY SYMBOLS<br>▽=0<br>▽=0 | GENERAL TOLERANCES (UNLESS SPECIFIED)                      |      | DIMENSION STYLE |      | SCALE               | DESIGN UNITS | THIRD ANGLE PROJECTION                                      |
|   |                               | mm   | INCH | IN/MM           | DATE | 5:1                 | INCH         | ☉   |
| 4 PLACES ± --- ± ---  |                               | DRAWN BY   |      | EDB             |      | DATE                |              | QUICK DISCONNECT<br>PCB MOUNTABLE<br>.250 & .187 X .032 TAB |
| 3 PLACES ± --- ± .005   |                               | CHECKED BY   |      | JH              |      | DATE                |              |   |
| 2 PLACES ± 0.13 ± .01   |                               | APPROVED BY  |      | RWD             |      | DATE                |              | MOLEX INCORPORATED  |
| 1 PLACE ± 0.25 ± ---  |                               | MATERIAL NO.   |      | SD-19705-400    |      | DOCUMENT NO.        |              |   |
| ANGULAR ±1/2°   |                               | DRAFT WHERE APPLICABLE<br>MUST REMAIN<br>WITHIN DIMENSIONS |      | SEE CHART       |      | SHEET NO.<br>1 OF 1 |              |   |
| THIS DRAWING CONTAINS INFORMATION THAT IS PROPRIETARY TO MOLEX INCORPORATED AND SHOULD NOT BE USED WITHOUT WRITTEN PERMISSION |                               |  |      |                 |      |                     |              |   |